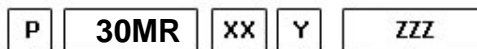
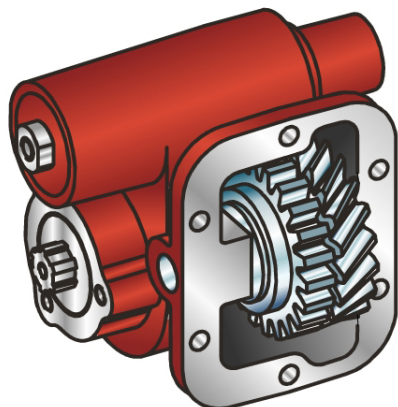




#PTO LAT. L. D. MITSUBISHI M5S5



Outlet version
Available option
Control option
Model
PTO

	Output 1		Number of teeth	24
Torque (Nm)	250		Module	4
Int. ratio	1,111		Replace	
Number of axles	2		Replaced by	

Command type

Electric Hydraulic Mechanical Fixed engagement Pneumatic Vacuum system

