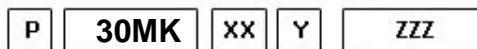
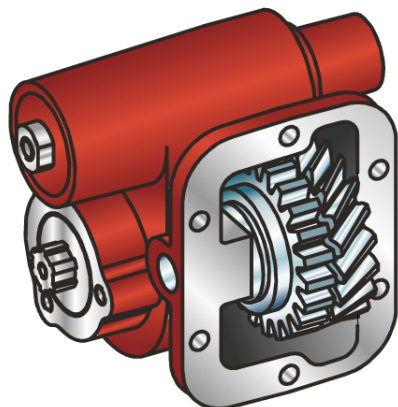




### #PTO LAT. L. D. MACK T 2180



Outlet version  
Available option  
Control option  
Model  
PTO

	<b>Output 1</b>	
<b>Torque (Nm)</b>	250	
<b>Int. ratio</b>	0,905	
<b>Number of axles</b>	2	

<b>Number of teeth</b>	27
<b>Module</b>	3,9197
<b>Replace</b>	
<b>Replaced by</b>	

### Command type

Electric     Hydraulic     Mechanical     Fixed engagement     Pneumatic     Vacuum system

**SENSO DI MARCIA**  
**VEHICLE MOTION DIRECTION**



**n° 3 FORI/HOLES**  
**M 10**

