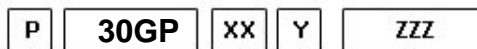
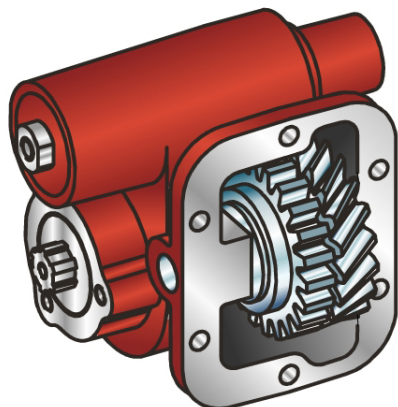




### #PTO LAT. L. D. FULLER RT 12513



Outlet version  
 Available option  
 Control option  
 Model  
 PTO

	<b>Output 1</b>		<b>Number of teeth</b>	23
<b>Torque (Nm)</b>	250		<b>Module</b>	4,23
<b>Int. ratio</b>	1,111		<b>Replace</b>	
<b>Number of axles</b>	2		<b>Replaced by</b>	

17/12/2018

### Command type

Electric    
  Hydraulic    
  Mechanical    
  Fixed engagement    
  Pneumatic    
  Vacuum system

