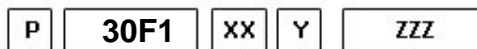
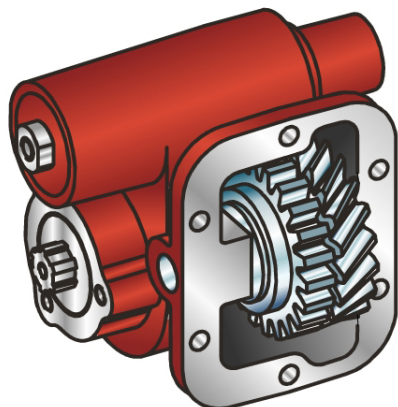




#PTO LAT. L. D. EATON FS 4005 A



Outlet version
 Available option
 Control option
 Model
 PTO

	Output 1		Number of teeth	17
Torque (Nm)	250		Module	4,16
Int. ratio	1,22		Replace	
Number of axles	2		Replaced by	

26/09/2011

Command type

Electric
 Hydraulic
 Mechanical
 Fixed engagement
 Pneumatic
 Vacuum system

