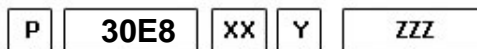
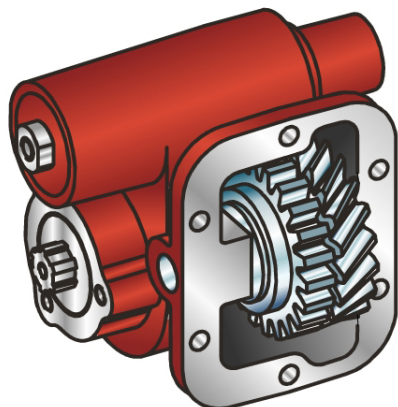




#PTO LAT. L. D. EATON FSO 8406A-FSO 6406A



Outlet version
 Available option
 Control option
 Model
 PTO

	Output 1		Number of teeth	25
Torque (Nm)	250		Module	3,63
Int. ratio	0,75		Replace	
Number of axles	2		Replaced by	

05/12/2008

Command type

Electric
 Hydraulic
 Mechanical
 Fixed engagement
 Pneumatic
 Vacuum system

