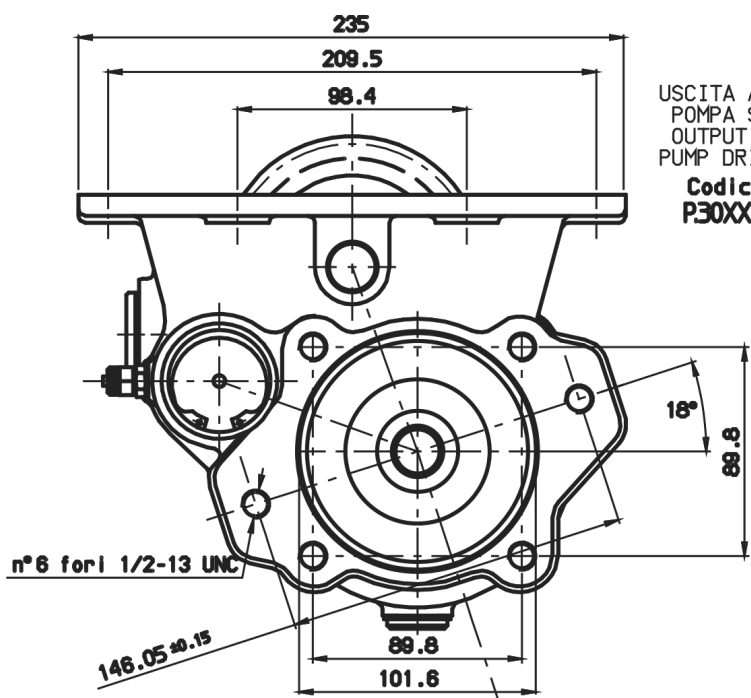


Outlet version
Available option
Control option
Model
PTO

	Output 1		Number of teeth	25
Torque (Nm)	300		Module	4,233
Int. ratio	1		Replace	
Number of axles	2		Replaced by	

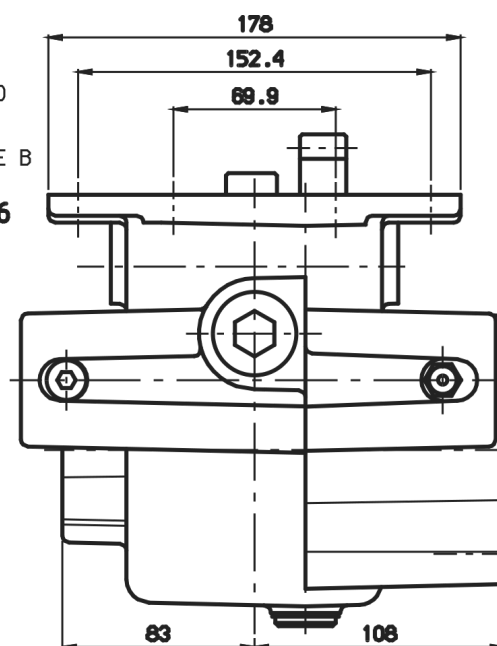
Command type

Electric Hydraulic Mechanical Fixed engagement Pneumatic Vacuum system



USCITA ATTACCO
POMPA SAE B
OUTPUT TYPE
PUMP DRIVE SAE B

Codice/Code
P30XX.PXX.206



SENSO DI MARCIA
VEHICLE MOTION DIRECTION