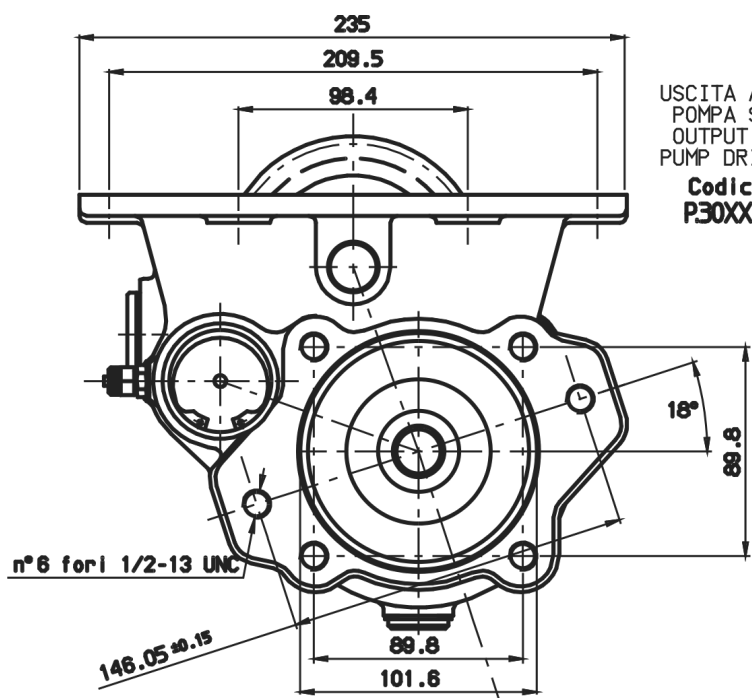


	<b>Output 1</b>		<b>Number of teeth</b>	25
<b>Torque (Nm)</b>	300		<b>Module</b>	4,233
<b>Int. ratio</b>	0,84		<b>Replace</b>	
<b>Number of axles</b>	2		<b>Replaced by</b>	

### Command type

Electric    
  Hydraulic    
  Mechanical    
  Fixed engagement    
  Pneumatic    
  Vacuum system



USCITA ATTACCO  
 POMPA SAE B  
 OUTPUT TYPE  
 PUMP DRIVE SAE B  
**Codice/Code**  
**P30XX.PXX.206**

