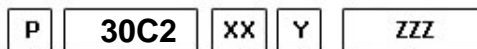
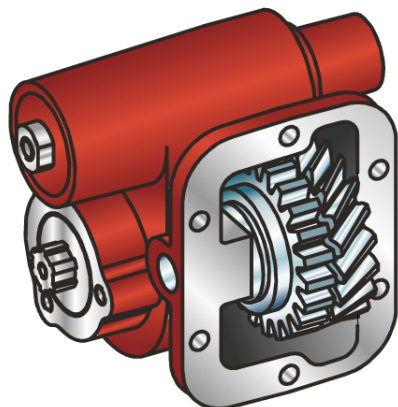




#PTO LAT. L. D. CLARK CL 3905 A/B/C



Outlet version
Available option
Control option
Model
PTO

	Output 1		Number of teeth	37
Torque (Nm)	250		Module	2,7
Int. ratio	1,6		Replace	
Number of axles	2		Replaced by	

Command type

Electric Hydraulic Mechanical Fixed engagement Pneumatic Vacuum system

SENSO DI MARCIA
VEHICLE MOTION DIRECTION



n° 3 FORI/HOLES
M 10

