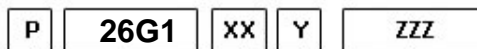
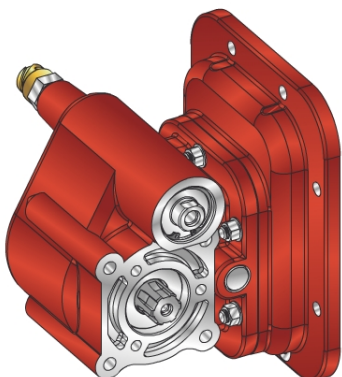




#PTO LAT. L. D. MITSUBISHI M200S16



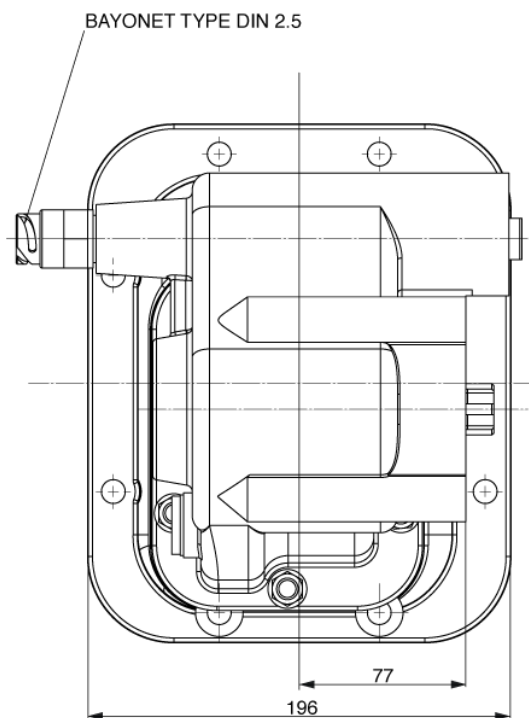
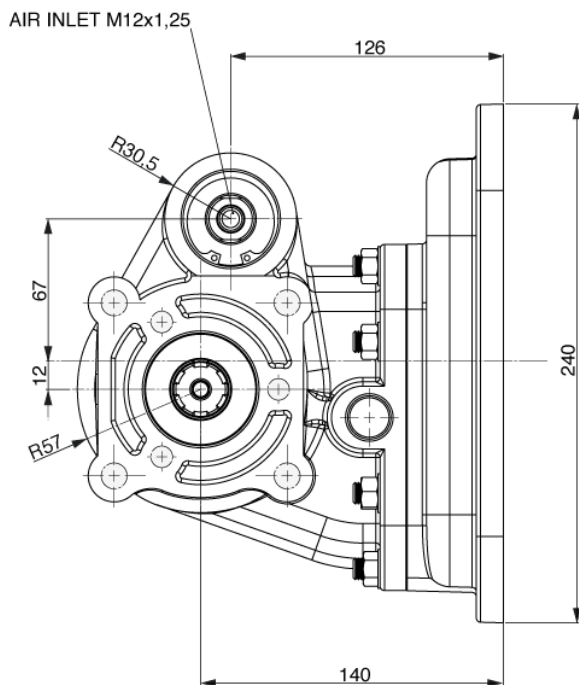
Outlet version
Available option
Control option
Model
PTO

	Output 1		Number of teeth	19
Torque (Nm)	300		Module	5,5
Int. ratio	1,18		Replace	
Number of axles	2		Replaced by	

06/05/2013

Command type

- Electric
 Hydraulic
 Mechanical
 Fixed engagement
 Pneumatic
 Vacuum system



VEHICLE MOTION DIRECTION

