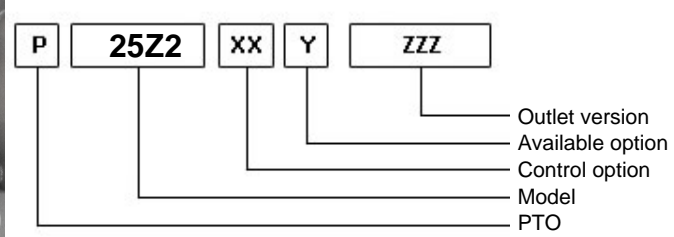
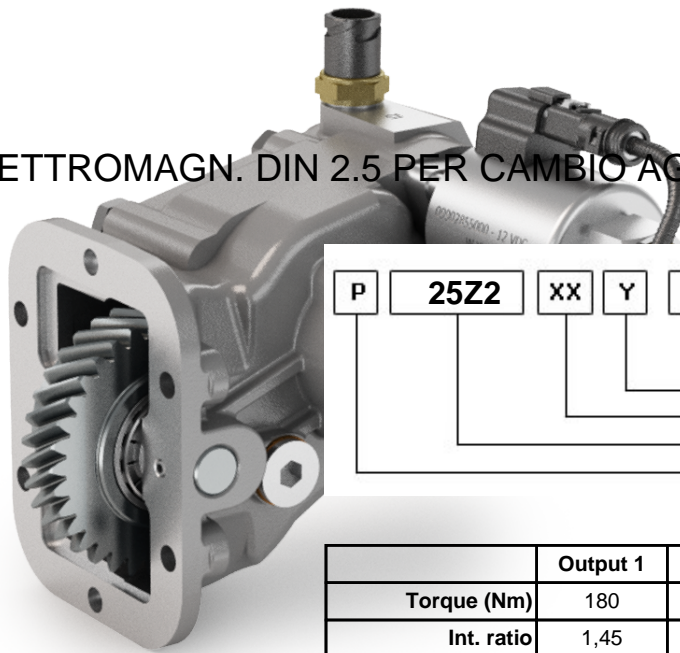


# 25Z2

## #PTO CMD. ELETTROMAGN. DIN 2.5 PER CAMBIO AGILE ZF 6AS 400

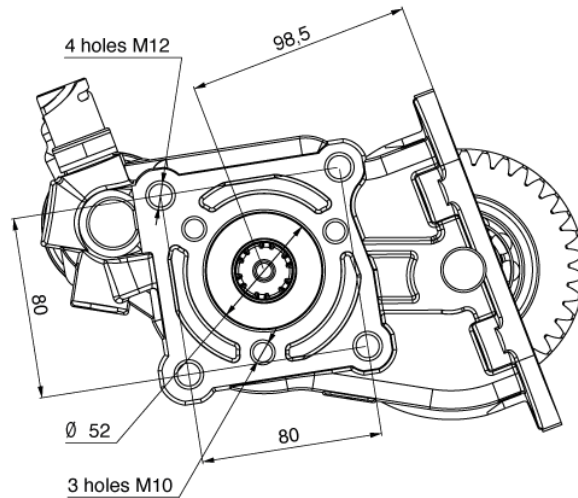
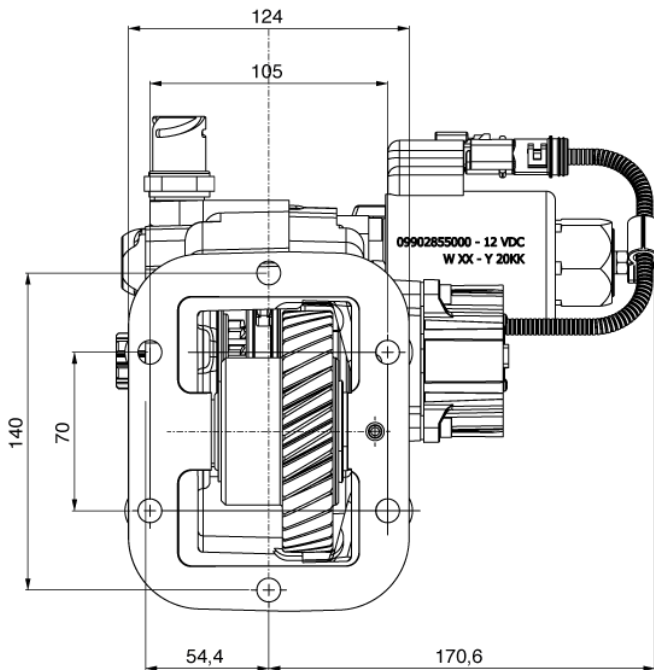


	<b>Output 1</b>		<b>Number of teeth</b>	32
<b>Torque (Nm)</b>	180		<b>Module</b>	2,9
<b>Int. ratio</b>	1,45		<b>Replace</b>	
<b>Number of axles</b>	2		<b>Replaced by</b>	

27/11/2018

### Command type

Electric    
  Hydraulic    
  Mechanical    
  Fixed engagement    
  Pneumatic    
  Vacuum system



VEHICLE MOTION DIRECTION