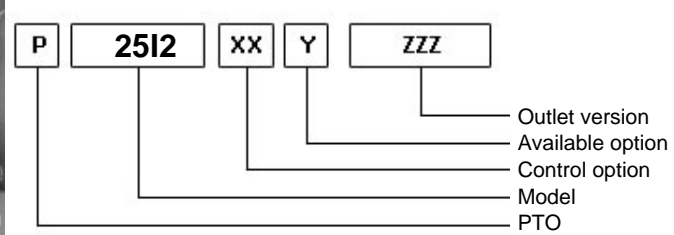
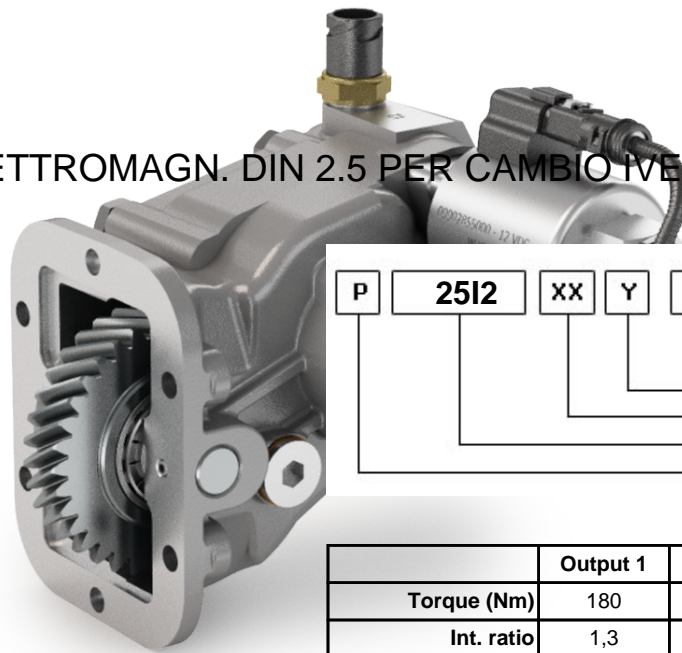


2512

#PTO CMD. ELETTROMAGN. DIN 2.5 PER CAMBIO IVECO 2840.6 FL11

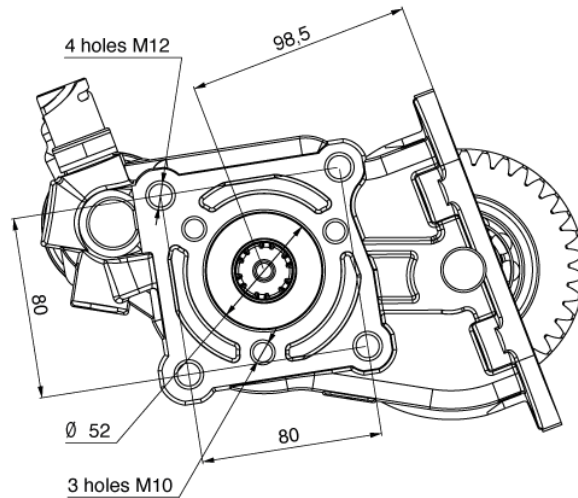
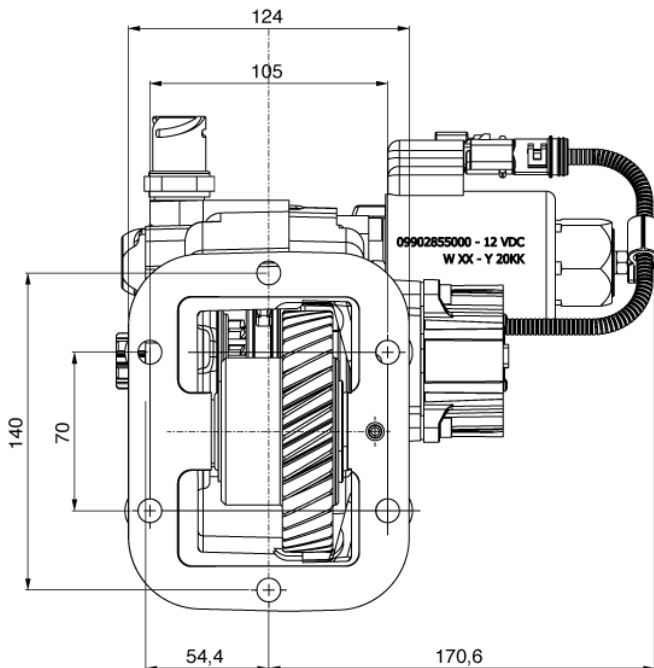


| | | | | |
|------------------------|-----------------|--|------------------------|------|
| | Output 1 | | Number of teeth | 35 |
| Torque (Nm) | 180 | | Module | 2,45 |
| Int. ratio | 1,3 | | Replace | |
| Number of axles | 2 | | Replaced by | |

27/11/2018

Command type

Electric
 Hydraulic
 Mechanical
 Fixed engagement
 Pneumatic
 Vacuum system



VEHICLE MOTION DIRECTION