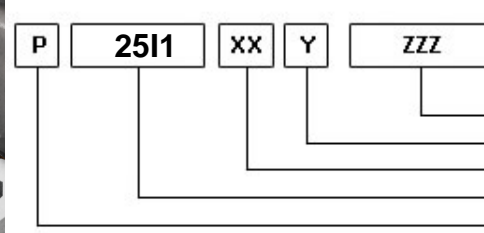
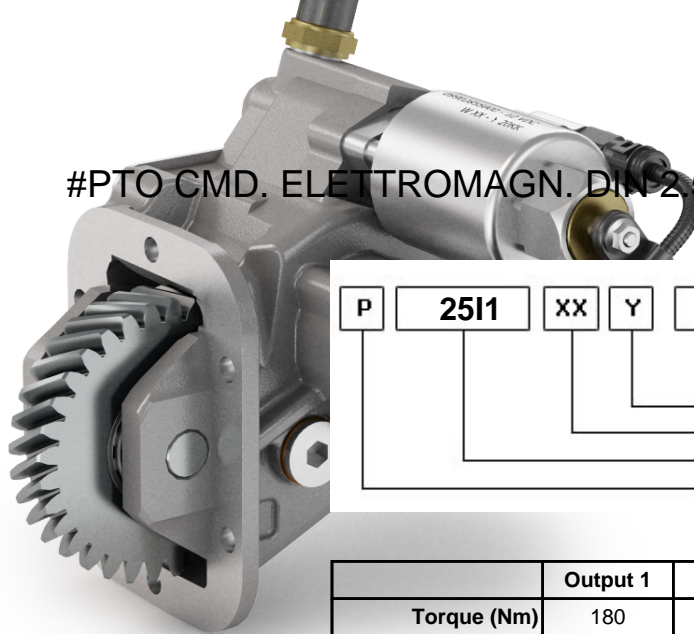


# 2511

## #PTO CMD. ELETTROMAGN. DIN 25 IVECO 2835.6

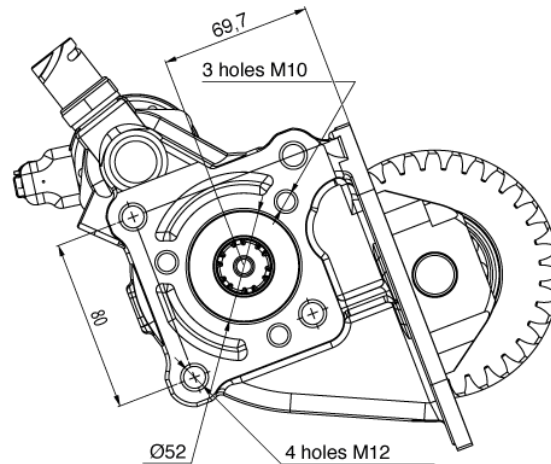
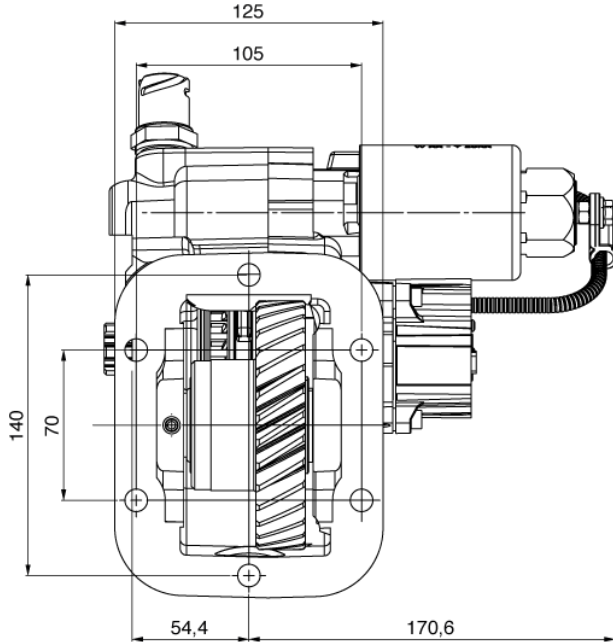


|                        |                 |  |                        |     |
|------------------------|-----------------|--|------------------------|-----|
|                        | <b>Output 1</b> |  | <b>Number of teeth</b> | 32  |
| <b>Torque (Nm)</b>     | 180             |  | <b>Module</b>          | 2,9 |
| <b>Int. ratio</b>      | 1,68            |  | <b>Replace</b>         |     |
| <b>Number of axles</b> | 2               |  | <b>Replaced by</b>     |     |

27/11/2018

### Command type

Electric    
  Hydraulic    
  Mechanical    
  Fixed engagement    
  Pneumatic    
  Vacuum system



VEHICLE MOTION DIRECTION