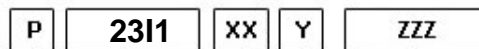
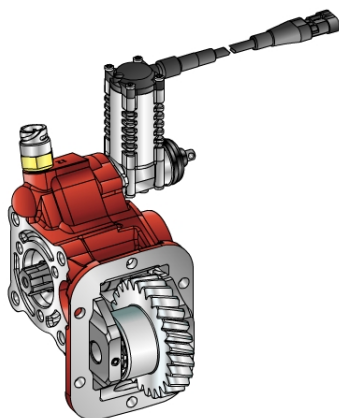




#PRESA DI FORZA PER IVECO 2835.6



Outlet version
 Available option
 Control option
 Model
 PTO

	Output 1
Torque (Nm)	180
Int. ratio	1,68
Number of axles	2

Number of teeth	32
Module	2,9
Replace	
Replaced by	

22/04/2014

Command type

Electric
 Hydraulic
 Mechanical
 Fixed engagement
 Pneumatic
 Vacuum system

