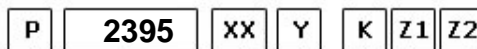
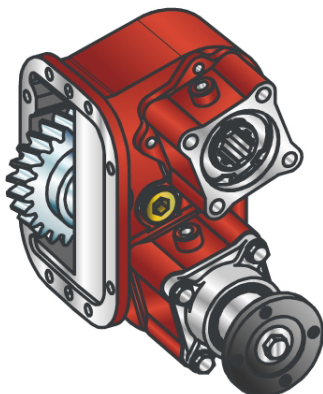




#PTO LAT. H. D. SCANIA D.U. GRS 900



- Outlet version
- Outlet control option
- Available option
- Control option
- Model
- PTO

	Output 1	Output 2	Number of teeth	25
Torque (Nm)	490	600	Module	4,25
Int. ratio	1,087	1,087	Replace	
Number of axles	2	2	Replaced by	

Command type

Electric
 Hydraulic
 Mechanical
 Fixed engagement
 Pneumatic
 Vacuum system



SENSO DI MARCIA
VEHICLE MOTION DIRECTION

