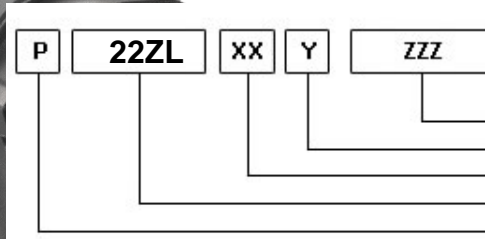
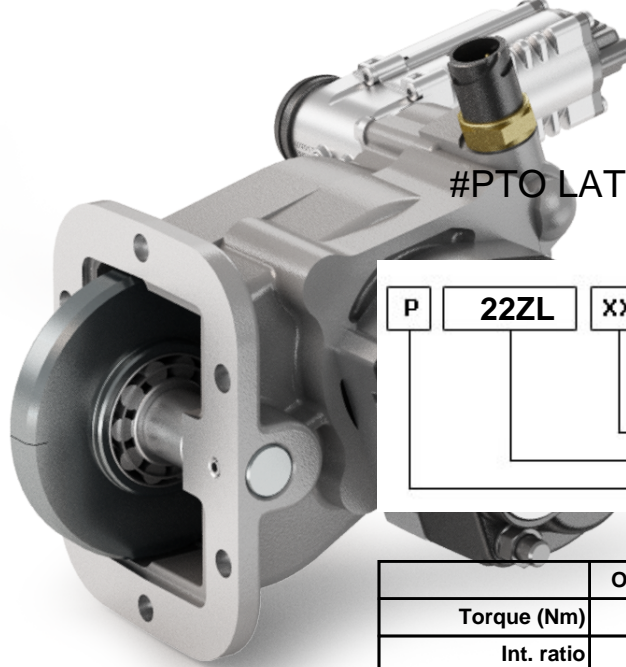


22ZL

#PTO LAT. L. D. Z.F S6-420 (DX)



Outlet version
Available option
Control option
Model
PTO

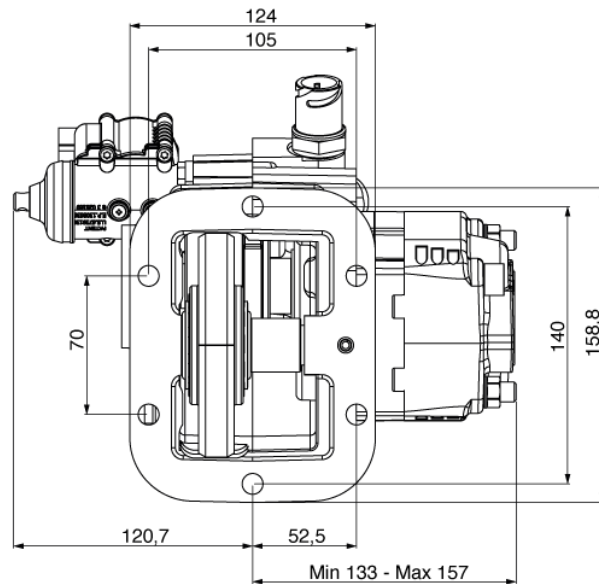
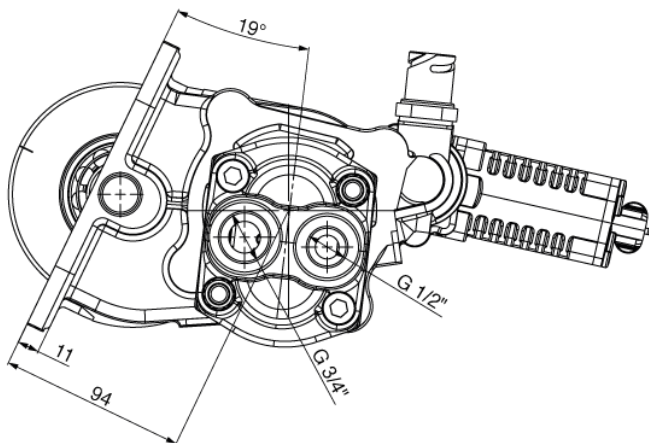
	Output 1	
Torque (Nm)	90	
Int. ratio	1,74	
Number of axles	2	

Number of teeth	33
Module	2,85
Replace	
Replaced by	

12/09/2018

Command type

Electric
 Hydraulic
 Mechanical
 Fixed engagement
 Pneumatic
 Vacuum system



VEHICLE MOTION DIRECTION