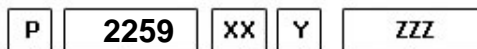
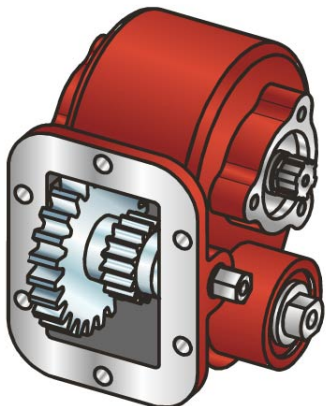




#PTO LAT. L. D. ALLISON AT-HT-MT



Outlet version
 Available option
 Control option
 Model
 PTO

	Output 1	
Torque (Nm)	250	
Int. ratio	0,377	
Number of axles	2	

Number of teeth	24
Module	4,233
Replace	241
Replaced by	

Command type

Electric Hydraulic Mechanical Fixed engagement Pneumatic Vacuum system

