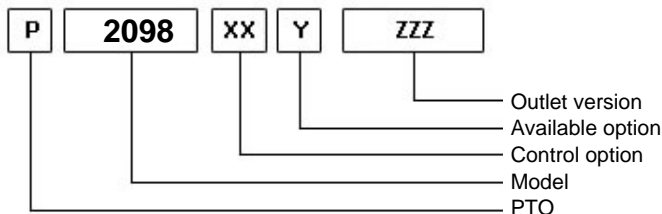
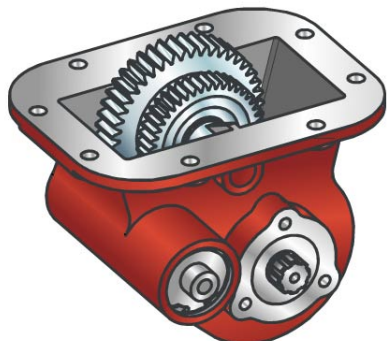




### #PTO LAT. L. D. MACK T 2090



	<b>Output 1</b>		<b>Number of teeth</b>	27
<b>Torque (Nm)</b>	250		<b>Module</b>	3,9197
<b>Int. ratio</b>	0,731		<b>Replace</b>	
<b>Number of axles</b>	2		<b>Replaced by</b>	

### Command type

- Electric     
  Hydraulic     
  Mechanical     
  Fixed engagement     
  Pneumatic     
  Vacuum system

