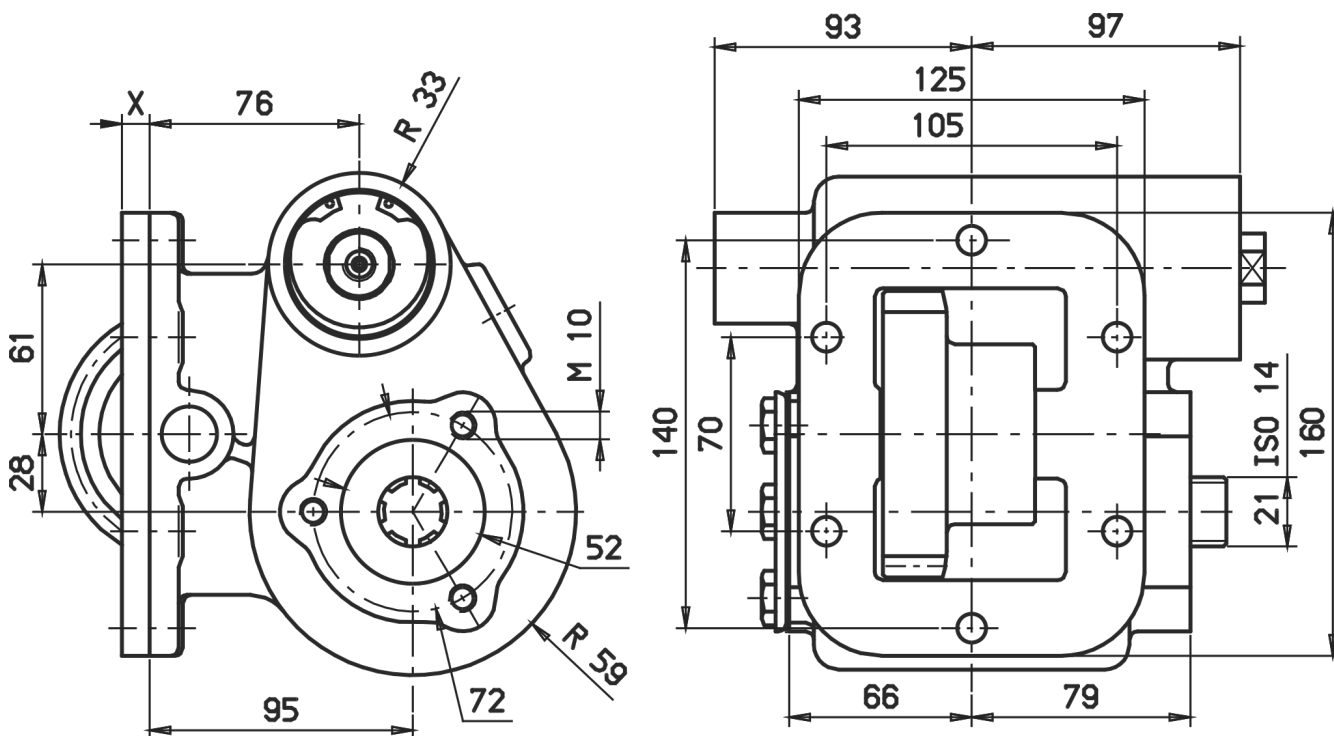


Outlet version
 Available option
 Control option
 Model
 PTO

	Output 1		Number of teeth	22
Torque (Nm)	250		Module	4,25
Int. ratio	1,294		Replace	
Number of axles	2		Replaced by	

Command type

Electric Hydraulic Mechanical Fixed engagement Pneumatic Vacuum system



SPESSORE/SPACER: 6SP056 X=5.6
 6SP100 X=10
 6SP139 X=13.9

