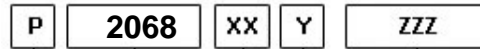
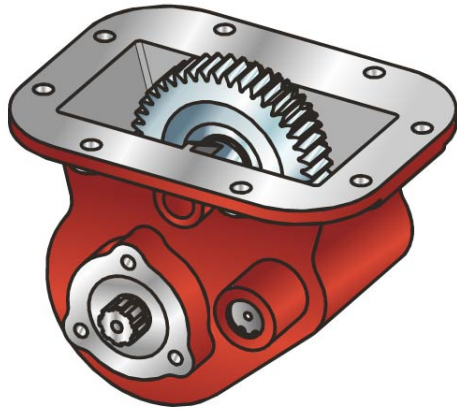




#PTO LAT. RTX L. D. FULLER 7609



Outlet version
Available option
Control option
Model
PTO

	Output 1		Number of teeth	25
Torque (Nm)	250		Module	4,233
Int. ratio	0,731		Replace	
Number of axles	2		Replaced by	

Command type

Electric
 Hydraulic
 Mechanical
 Fixed engagement
 Pneumatic
 Vacuum system

