

Outlet version
 Available option
 Control option
 Model
 PTO

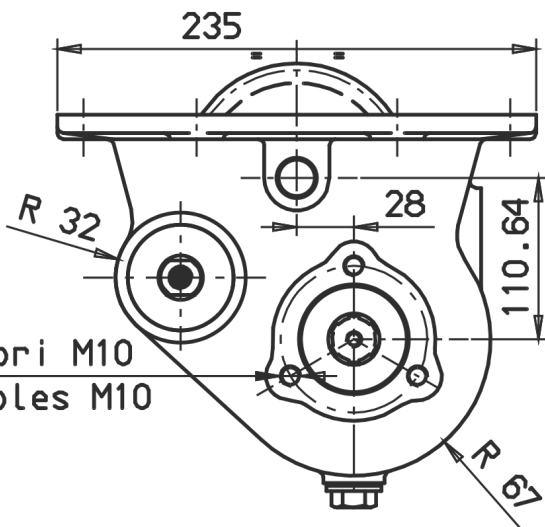
	Output 1	
Torque (Nm)	250	
Int. ratio	0,731	
Number of axles	2	

Number of teeth	25
Module	4,23
Replace	
Replaced by	

06/11/2012

Command type

Electric Hydraulic Mechanical Fixed engagement Pneumatic Vacuum system



N°3 Fori M10
 N°3 Holes M10

