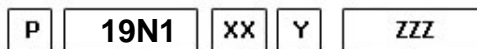
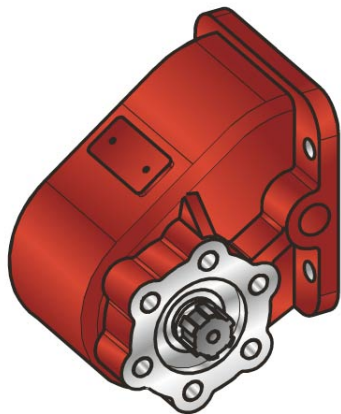




### #PTO LAT. L. D. TURNER M5-25 A-C



Outlet version  
 Available option  
 Control option  
 Model  
 PTO

	<b>Output 1</b>	
<b>Torque (Nm)</b>	150	
<b>Int. ratio</b>	1,091	
<b>Number of axles</b>	2	

<b>Number of teeth</b>	24
<b>Module</b>	2,8627
<b>Replace</b>	560
<b>Replaced by</b>	

### Command type

Electric     Hydraulic     Mechanical     Fixed engagement     Pneumatic     Vacuum system

