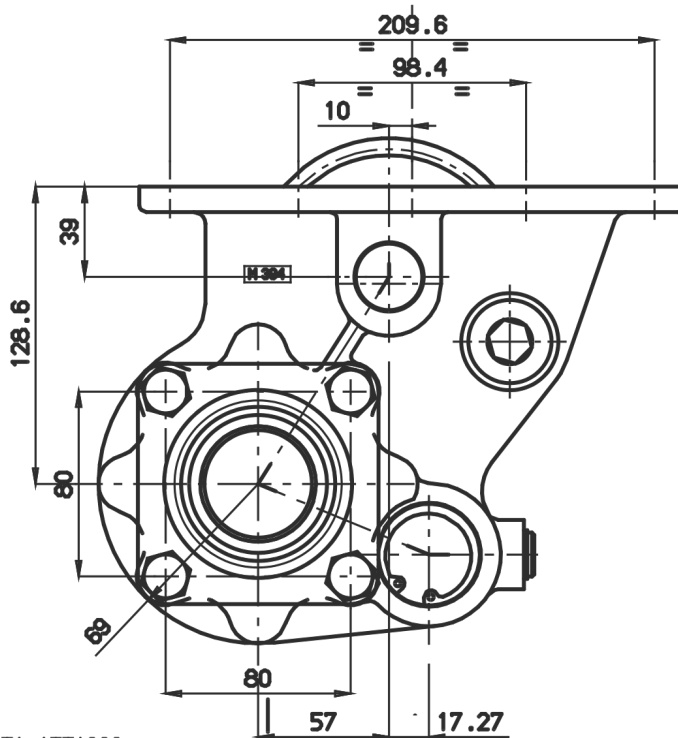
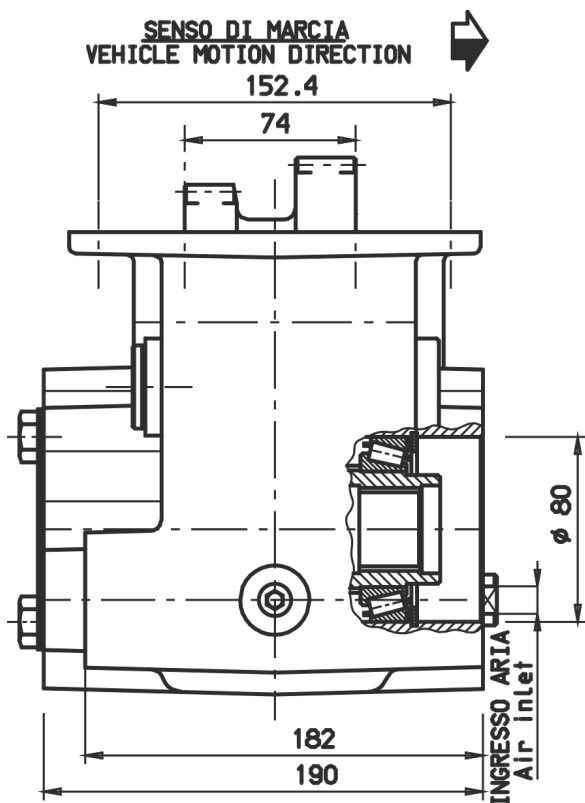


	Output 1		Number of teeth	44
Torque (Nm)	500		Module	2,61
Int. ratio	1,06		Replace	
Number of axles	2		Replaced by	

14/04/2011

Command type

Electric
 Hydraulic
 Mechanical
 Fixed engagement
 Pneumatic
 Vacuum system



USCITA ATTACCO
 POMPA "SE/R"
 OUTPUT TYPE
 PUMP DRIVE "SE/R"