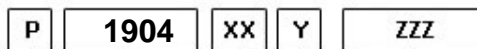
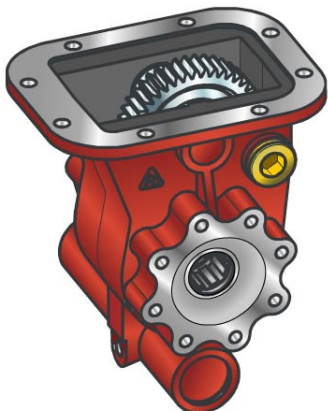




#PTO LAT. H. D. EATON TWIN SPLITTER



Outlet version
 Available option
 Control option
 Model
 PTO

	Output 1		Number of teeth	44
Torque (Nm)	350		Module	2,515
Int. ratio	1,542		Replace	
Number of axles	2		Replaced by	

Command type

Electric
 Hydraulic
 Mechanical
 Fixed engagement
 Pneumatic
 Vacuum system

