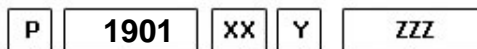
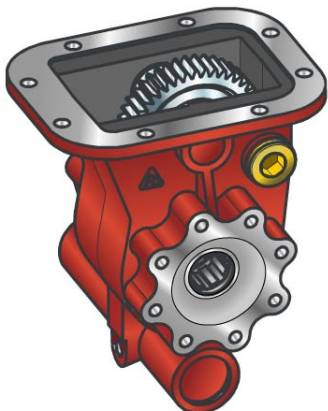




## #PTO LAT. H. D. FULLER RT 11613



Outlet version  
 Available option  
 Control option  
 Model  
 PTO

	<b>Output 1</b>		<b>Number of teeth</b>	28
<b>Torque (Nm)</b>	400		<b>Module</b>	4,23
<b>Int. ratio</b>	1,333		<b>Replace</b>	
<b>Number of axles</b>	2		<b>Replaced by</b>	

27/09/2013

### Command type

Electric    
  Hydraulic    
  Mechanical    
  Fixed engagement    
  Pneumatic    
  Vacuum system

