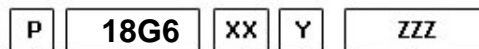
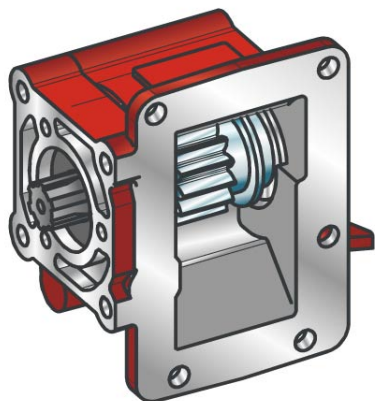




#PTO LAT. L. D. MITSUBISHI MO35S5 CAST IRON



Outlet version
Available option
Control option
Model
PTO

	Output 1	
Torque (Nm)	180	
Int. ratio	1	
Number of axles	1	

Number of teeth	15
Module	2,93
Replace	
Replaced by	

11/11/2013

Command type

Electric Hydraulic Mechanical Fixed engagement Pneumatic Vacuum system

