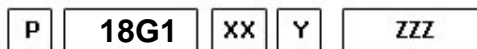
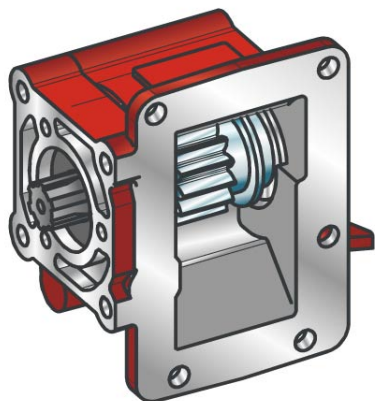




#PTO LAT. L. D. MITSUBISHI MO15S5



Outlet version
Available option
Control option
Model
PTO

	Output 1	
Torque (Nm)	150	
Int. ratio	1	
Number of axles	1	

Number of teeth	16
Module	2,7
Replace	
Replaced by	

23/10/2013

Command type

Electric Hydraulic Mechanical Fixed engagement Pneumatic Vacuum system

