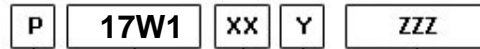
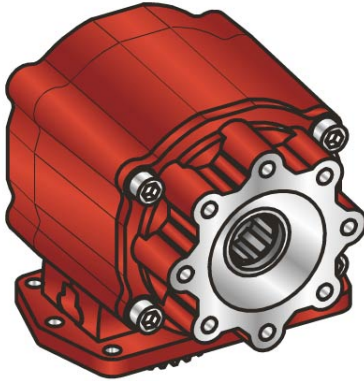




#PTO LAT. ALLISON MD SERIE TOP (SILENT)



Outlet version
Available option
Control option
Model
PTO

	Output 1		Number of teeth	50
Torque (Nm)	600		Module	2,5
Int. ratio	0,69		Replace	
Number of axles	2		Replaced by	

18/06/2019

Command type

Electric Hydraulic Mechanical Fixed engagement Pneumatic Vacuum system

