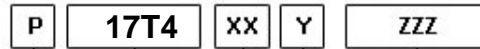
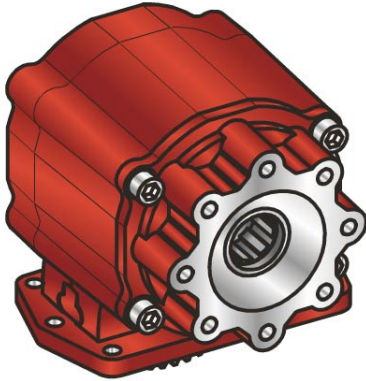




#PTO LAT. ALLISON MD SERIE TOP



Outlet version
 Available option
 Control option
 Model
 PTO

	Output 1
Torque (Nm)	600
Int. ratio	1,04
Number of axles	2

Number of teeth	50
Module	2,5
Replace	
Replaced by	

08/04/2016

Command type

Electric
 Hydraulic
 Mechanical
 Fixed engagement
 Pneumatic
 Vacuum system

