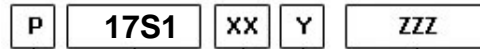
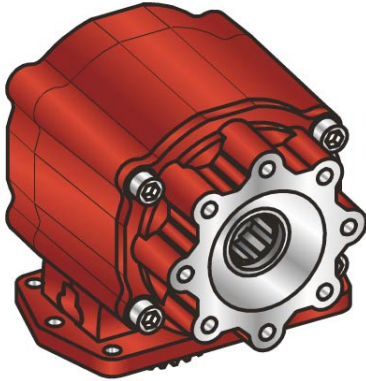




### #PTO LAT. ALLISON MD - HD (SILENT)



Outlet version  
Available option  
Control option  
Model  
PTO

|                        |                 |  |
|------------------------|-----------------|--|
|                        | <b>Output 1</b> |  |
| <b>Torque (Nm)</b>     | 600             |  |
| <b>Int. ratio</b>      | 0,69            |  |
| <b>Number of axles</b> | 2               |  |

|                        |     |
|------------------------|-----|
| <b>Number of teeth</b> | 50  |
| <b>Module</b>          | 2,5 |
| <b>Replace</b>         |     |
| <b>Replaced by</b>     |     |

18/06/2019

### Command type

Electric     Hydraulic     Mechanical     Fixed engagement     Pneumatic     Vacuum system

