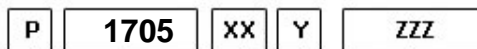
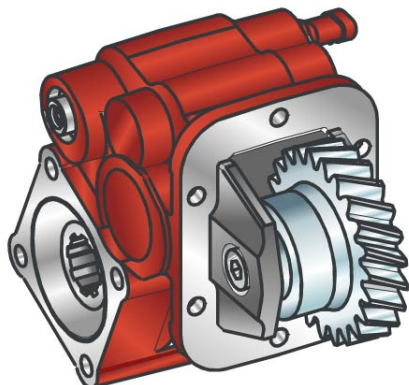




#PTO LAT. L. D. IVECO 2895.9 R. 1:1



Outlet version  
 Available option  
 Control option  
 Model  
 PTO

|                        |                 |  |                        |      |
|------------------------|-----------------|--|------------------------|------|
|                        | <b>Output 1</b> |  | <b>Number of teeth</b> | 27   |
| <b>Torque (Nm)</b>     | 295             |  | <b>Module</b>          | 3,44 |
| <b>Int. ratio</b>      | 1,129           |  | <b>Replace</b>         |      |
| <b>Number of axles</b> | 3               |  | <b>Replaced by</b>     |      |

### Command type

Electric    
  Hydraulic    
  Mechanic    
  Fixed engagement    
  Pneumatic    
  Vacuum system

