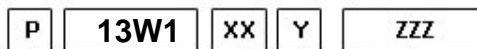
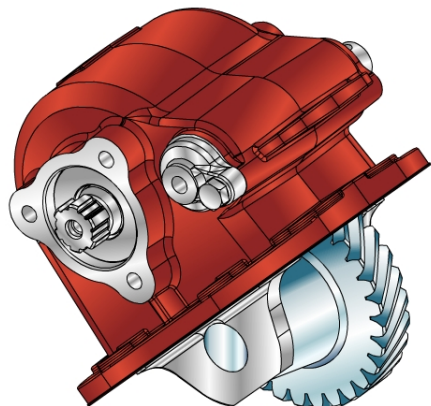




### #PTO LAT. L.D. WANIER 6S51B



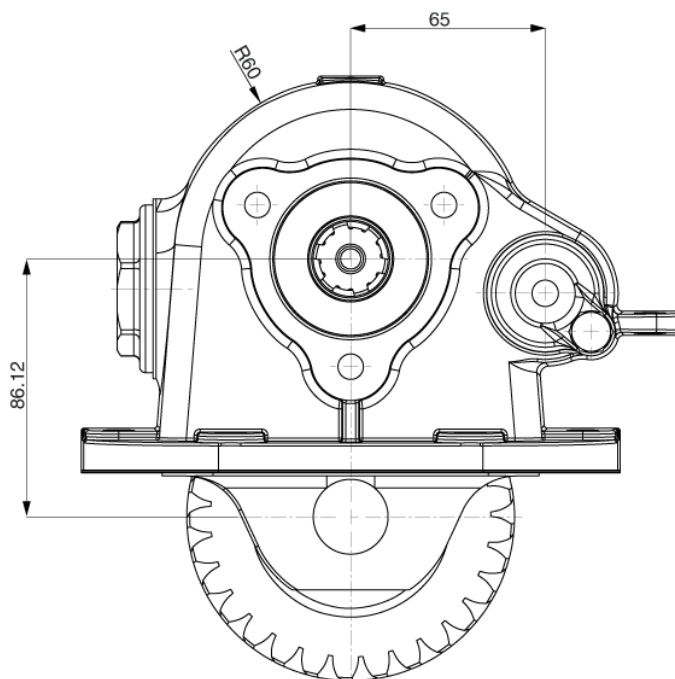
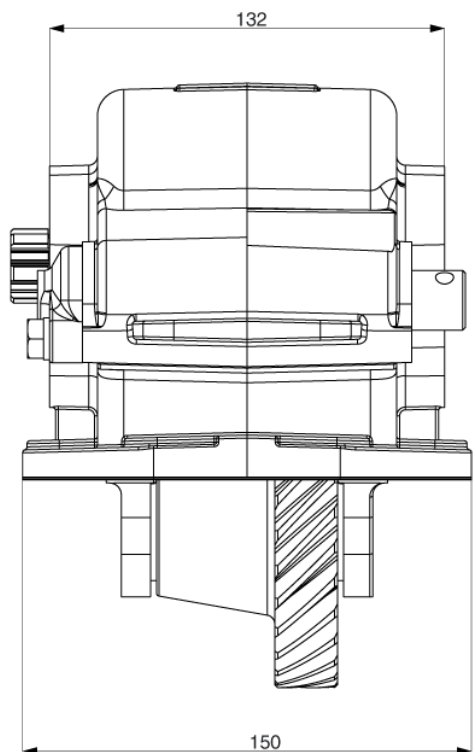
- Outlet version
- Available option
- Control option
- Model
- PTO

	<b>Output 1</b>		<b>Number of teeth</b>	29
<b>Torque (Nm)</b>	200		<b>Module</b>	3,2
<b>Int. ratio</b>	1,45		<b>Replace</b>	
<b>Number of axles</b>	2		<b>Replaced by</b>	

11/10/2013

### Command type

Electric    
  Hydraulic    
  Mechanical    
  Fixed engagement    
  Pneumatic    
  Vacuum system



VEHICLE MOTION DIRECTION

