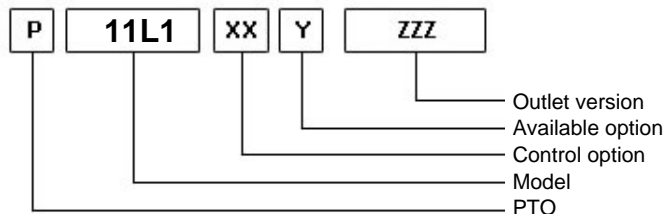




## #PTO LAT. L. D. MAZDA WEY 011

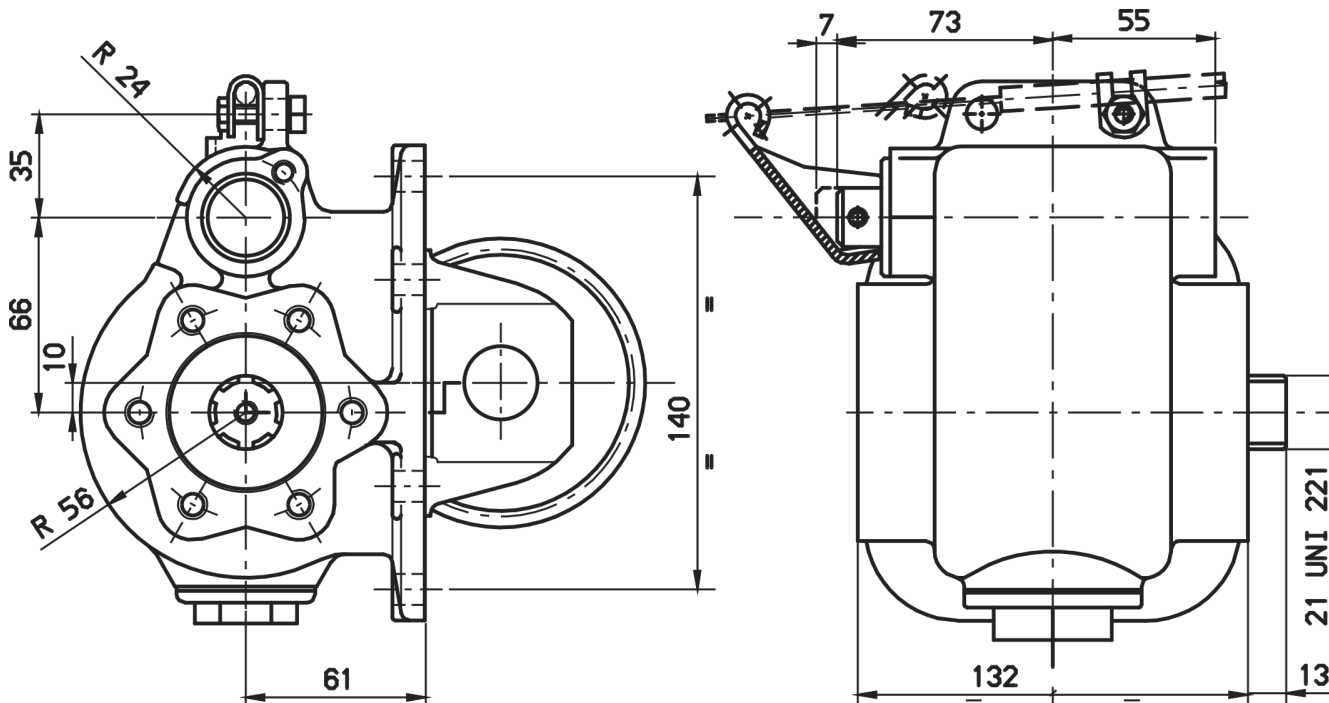


	<b>Output 1</b>		<b>Number of teeth</b>	33
<b>Torque (Nm)</b>	200		<b>Module</b>	3
<b>Int. ratio</b>	1,65		<b>Replace</b>	63
<b>Number of axles</b>	2		<b>Replaced by</b>	

02/03/2006

### Command type

Electric    
  Hydraulic    
  Mechanical    
  Fixed engagement    
  Pneumatic    
  Vacuum system



**SENSO DI MARCIA**  
**VEHICLE MOTION DIRECTION**

