

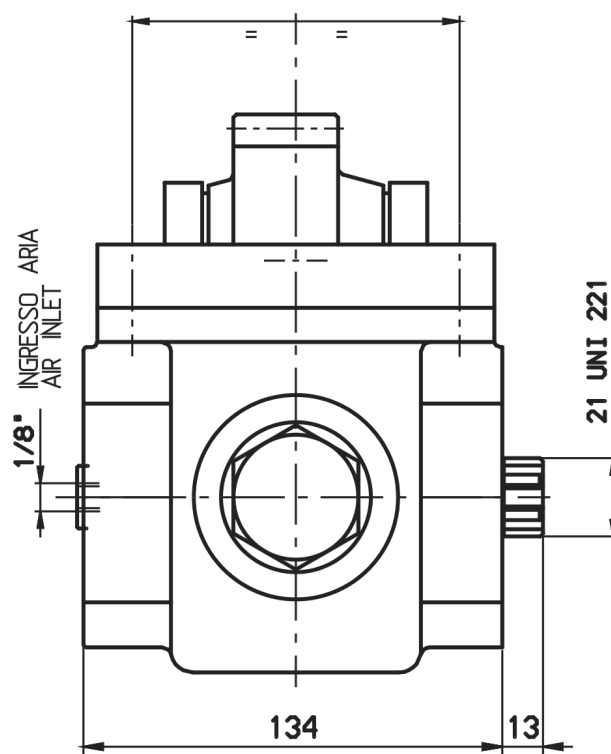
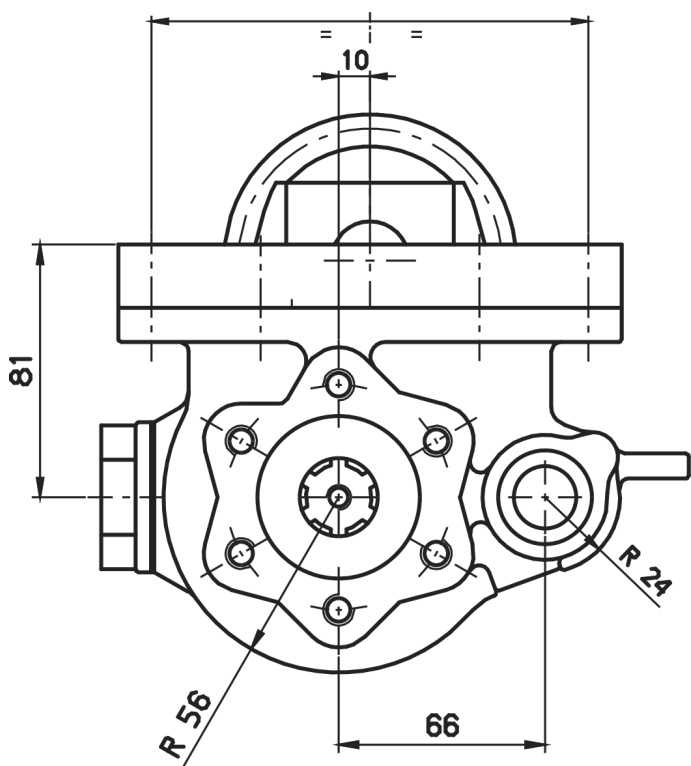
Outlet version
Available option
Control option
Model
PTO

	Output 1		Number of teeth	19
Torque (Nm)	250		Module	4,36
Int. ratio	1,36		Replace	
Number of axles	2		Replaced by	

28/07/2008

Command type

Electric Hydraulic Mechanic Fixed engagement Pneumatic Vacuum system



SENSO DI MARCIA
VEHICLE MOTION DIRECTION