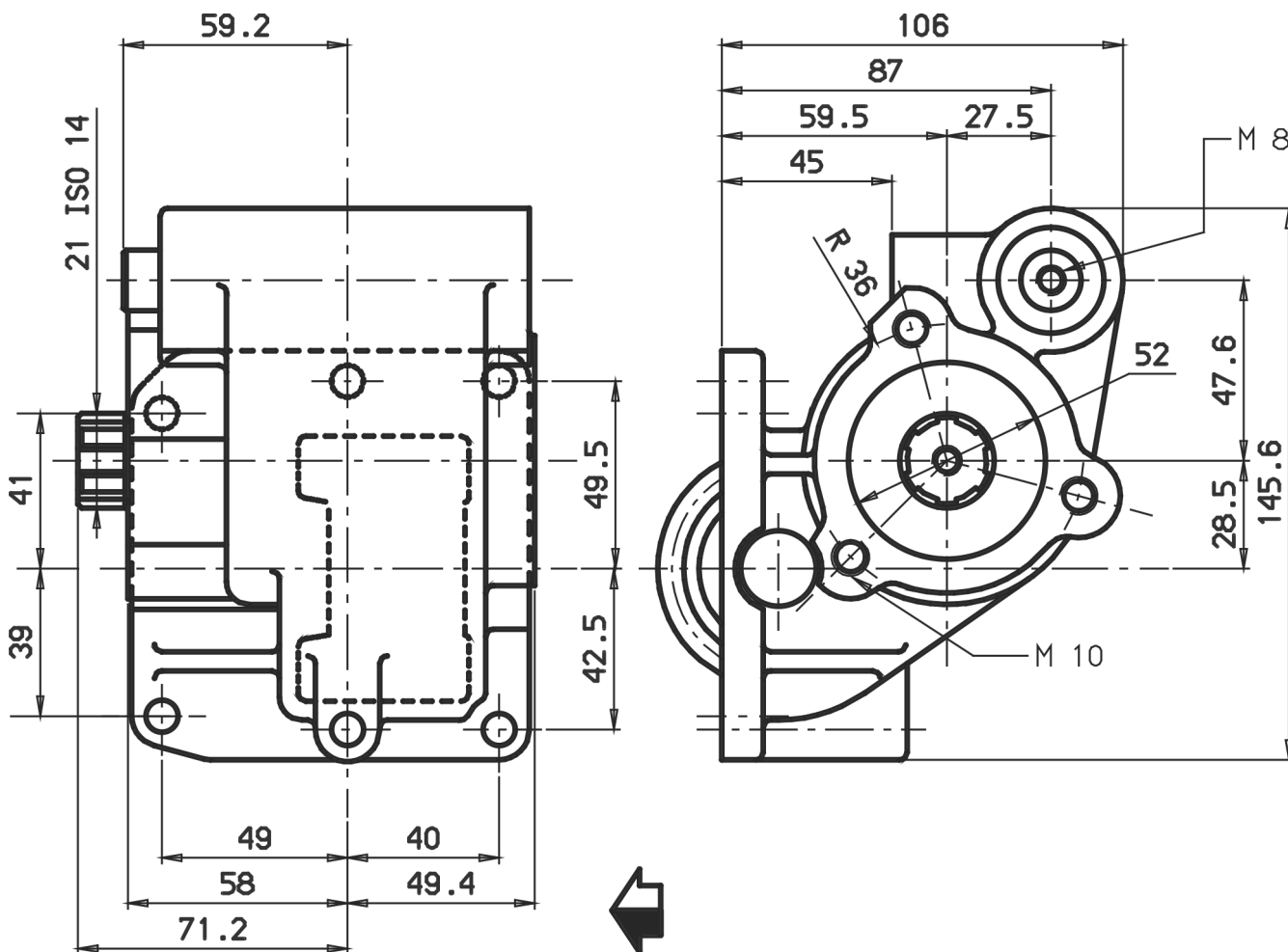


Outlet version
Available option
Control option
Model
PTO

	Output 1		Number of teeth	16
Torque (Nm)	80		Module	3,38
Int. ratio	1,231		Replace	
Number of axles	2		Replaced by	

Command type

Electric Hydraulic Mechanical Fixed engagement Pneumatic Vacuum system



SENSO DI MARCIA
VEHICLE MOTION DIRECTION

