

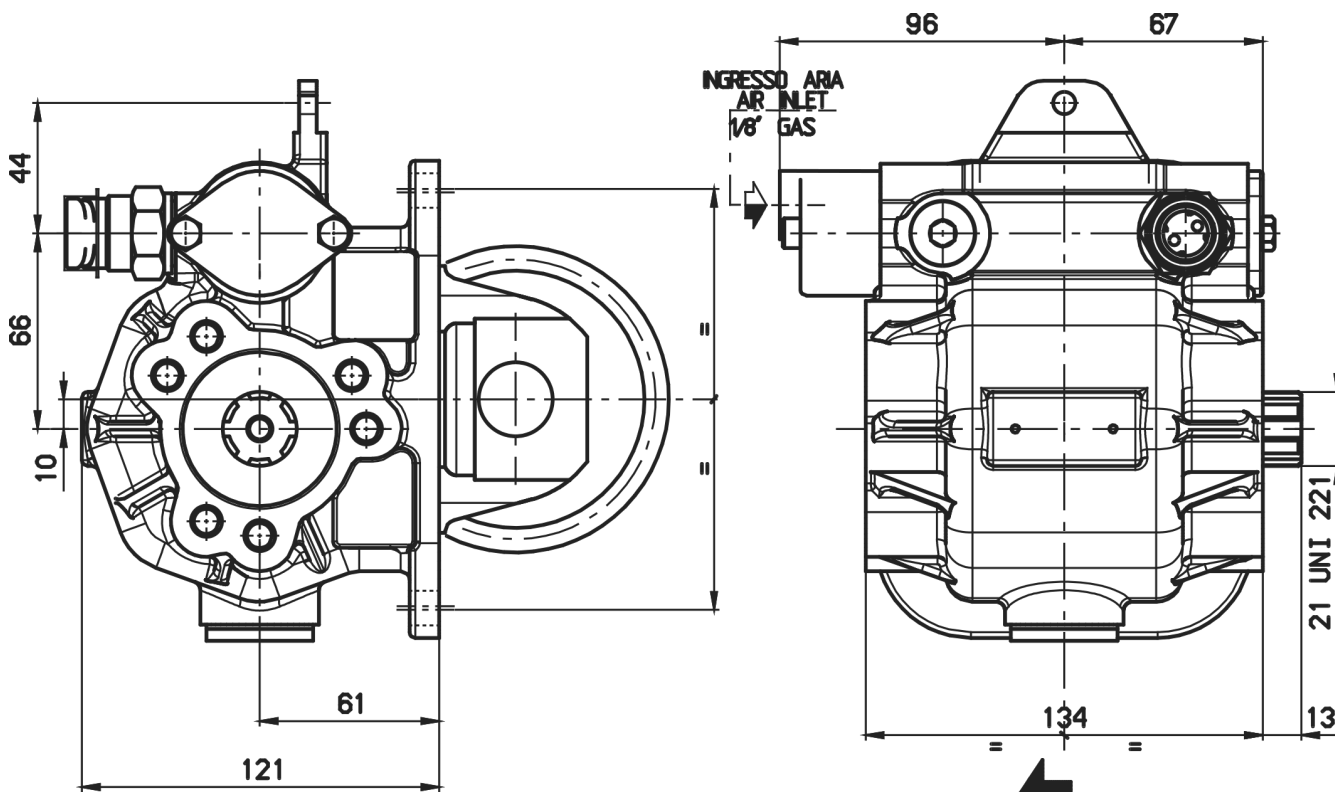
Outlet version
Available option
Control option
Model
PTO

	Output 1		Number of teeth	25
Torque (Nm)	200		Module	3,5
Int. ratio	1,25		Replace	59
Number of axles	2		Replaced by	

22/04/2014

Command type

Electric Hydraulic Mechanical Fixed engagement Pneumatic Vacuum system



SENSO DI MARCIA
VEHICLE MOTION DIRECTION

