

Outlet version  
Available option  
Control option  
Model  
PTO

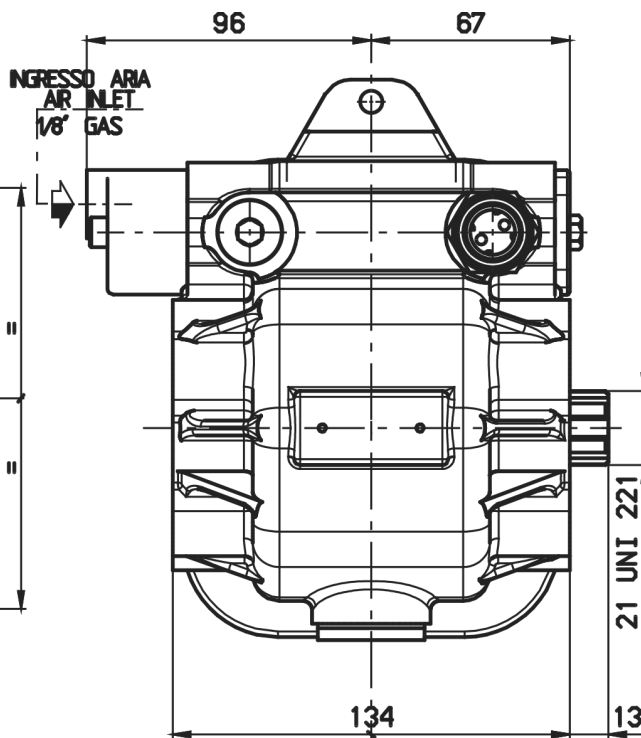
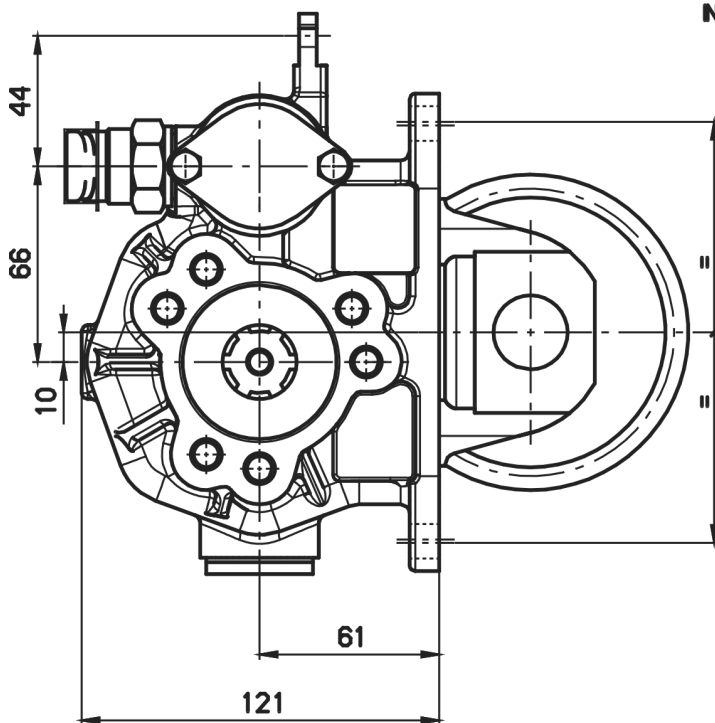
	<b>Output 1</b>	
<b>Torque (Nm)</b>	200	
<b>Int. ratio</b>	1,14	
<b>Number of axles</b>	2	

<b>Number of teeth</b>	32
<b>Module</b>	2,65
<b>Replace</b>	
<b>Replaced by</b>	

22/04/2014

### Command type

Electric     Hydraulic     Mechanical     Fixed engagement     Pneumatic     Vacuum system



**SENSO DI MARCIA**  
**VEHICLE MOTION DIRECTION**

