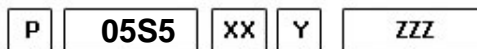
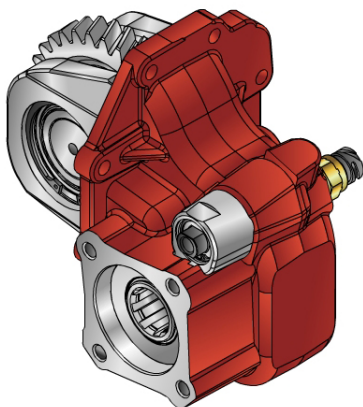




#PTO LAT. H. D. SCANIA GRS 895



- Outlet version
- Available option
- Control option
- Model
- PTO

	Output 1	
Torque (Nm)	400	
Int. ratio	1,33	
Number of axles	2	

Number of teeth	32
Module	4
Replace	1016
Replaced by	

21/04/2010

Command type

Electric
 Hydraulic
 Mechanic
 Fixed engagement
 Pneumatic
 Vacuum system

